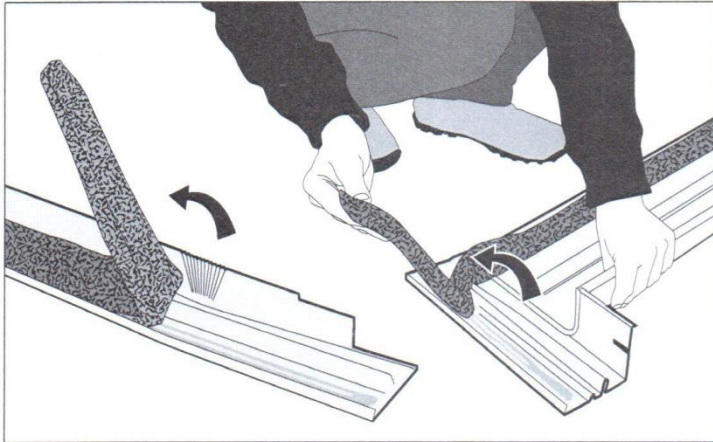
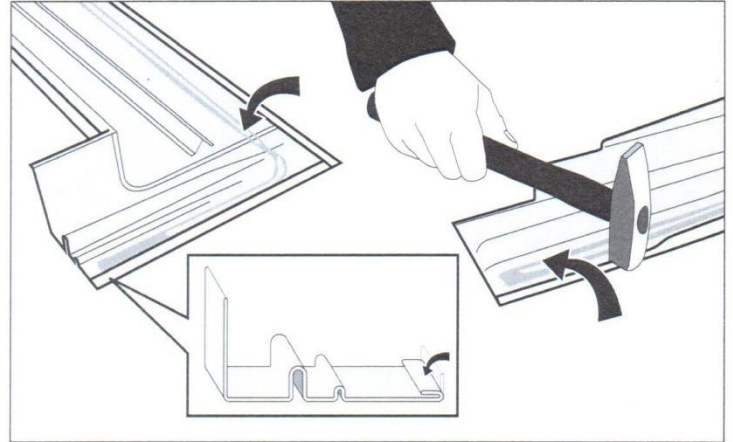


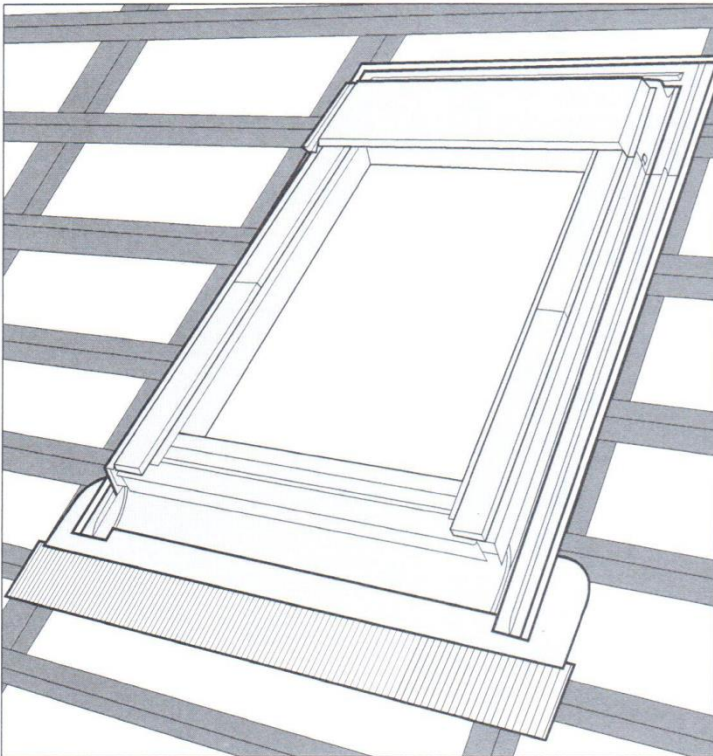
Roof window installation on slate with **WO** and **ZO** flashings



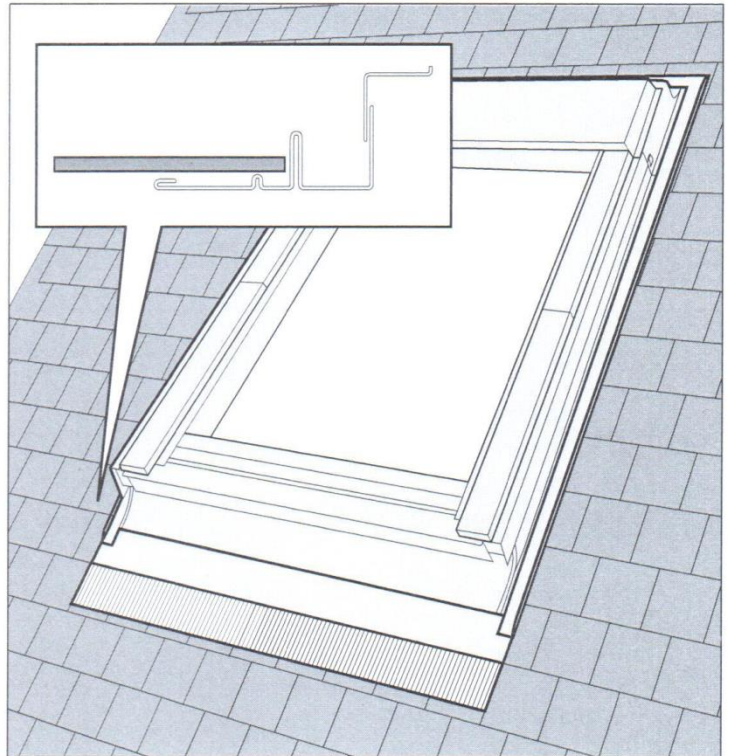
01 Remove the foam gasket from the side and top flashing sections.



02 Flatten the back bended edge of the side and top flashing sections.



03 Install the flashing as instructed on the installation guide.



04 Cut the slates around the window at the standing reinforcement as shown on the image.