

Conservation roof window system



Slate roof, EDN recessed flashing.



Stone slate, EDW flashing.



Centre-pivot
 Tiles 15-90°
 Tiles (recessed) 20-90°
 Plain tiles 25-55°
 Slate (recessed) 20-90°



Top-hung
 Tiles 15-55°
 Tiles (recessed) 20-55°
 Plain tiles 25-55°
 Slate (recessed) 20-55°

• For roof pitches from 55-75°, please specify special springs when ordering

The VELUX Conservation window provides all the technically superior features of a VELUX Roof Window in a traditional black conservation style including glazing bar/s.

Application

Features –

- Supplied as a complete package including window, flashing and insulation collar
- Option of either Centre-pivot (GGL) or Top-hung (GHL) window
- Recessed flashing (EDN/EDJ) complete with Insulation Collar (BDX)
- Black exterior profiles including black glazing bar (RAL 9005)
- Standard (--59) glazing

Benefits –

- Convenient to order as one code. [Click here](#) for package options
- Offering two styles to suit the customer's requirements
- Ensuring the best energy-efficient installation
- Providing traditional appearance and characteristics ideal for conservation areas
- Toughened outer pane

For further information on the GGL features please [click here](#).

For further information on GHL features please [click here](#).

Operation

The Centre-pivot (GGL) is manually operated and is recommended by VELUX for higher reach windows.

To watch an illustration of how the window operates [click here](#).

The Top-hung (GHL) is manually operated and is recommended by VELUX for lower level installation and is ideal for shallower roof pitches. It is also suitable for escape purposes.

To watch an illustration of how the window operates [click here](#).

The pane should be cleaned with a soft, clean, lint-free cloth or non-abrasive sponge. The rest of the window can be cleaned with ordinary household cleaners. The filter can be removed and either washed or replaced.

Maintenance

For further advice on maintenance please [click here](#).

- 10 year VELUX guarantee on windows and flashings
- 3 year guarantee on blinds, shutters and awnings

[Click here](#) for further information regarding the VELUX guarantee.

Guarantee

VELUX offer several glazing options*

(--59) Toughened outer pane. (standard for Conservation roof windows)

*other glazing options available on request

Variants

Installation products recommended by VELUX:

Flashings for

- Single installation (ED_)
- Twin installation (EB_)
- Combi installation (EK_)

[Click here](#) for more information on flashings.

Installation products

- Insulation Collar (BDX)
- Underfelt Collar (BFX) includes transverse drainage gutter
- Vapour Barrier (BBX)

[Click here](#) for more information on installation products.

Control options:

- Rod (ZCT 200) for Centre-pivot windows
- Remote control – Electrical conversion kit (KMX 100) or Solar conversion kit (KSX 100) can be fitted to upgrade Centre-pivot manual windows
- The Top-hung windows are not recommended for out of reach installation



Blinds, awnings and shutters

Interior suncreening*

- Blackout blind – Manual (DKL) or Solar (DSL)
- Roller blind – Manual (RFL) or Solar (RSL)
- Flying Pleated blind – Manual (FHL)
- Venetian blind – Manual (PAL)
- Duo Blackout blind – Manual (DFD)

*Manual and Solar blinds can be used on manual windows, electric blinds are for use on electric windows only

Exterior suncreening†

- Awning blind – Manual (MAL)
- Roller shutter – Manual (SCL)

†Solar and electric options also available

Additional accessories

- Insect screen – Manual (ZIL)

[Click here](#) for more information on blinds.

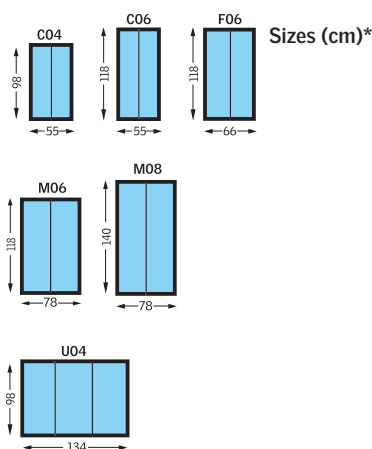
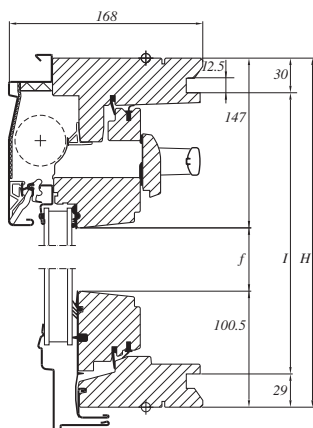


Technical data – Conservation roof window system

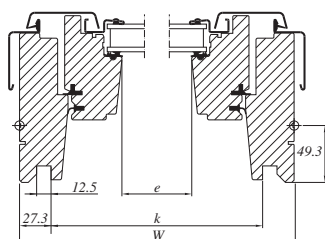
Measurements (mm)

Size	Exterior frame	Visible glass	Lining rebate	Size	Exterior frame	Visible glass	Lining rebate
	W x H	e x f	k x l		W x H	e x f	k x l
C04	550 x 978	373 x 730	495 x 919	M06	780 x 1178	603 x 1150	725 x 1339
C06	550 x 1178	373 x 930	495 x 1119	M08	780 x 1398	603 x 1150	725 x 1339
F06	660 x 1178	483 x 930	605 x 1119	U04	1340 x 978	1163 x 730	1285 x 919

Cross-section/measurements (mm)



*Other sizes/types available to order on request.



Technical data

	Size	C04	C06	F06	GGL M06	M08	U04	Size	GHL M08▲
Ventilation flap – free area [10 ³ mm ²]		2.8	2.8	3.5	4.3	4.3	8.1		4.3
Ventilation flap – equivalent area [10 ³ mm ²]*		2.6	2.6	3.1	3.7	3.7	6.6		3.7
Ventilation – open window [m ²]		0.33	0.42	0.53	0.64	0.79	0.94		0.84
Effective daylight area [m ²]		0.27	0.35	0.45	0.56	0.69	0.85		0.69

*Measured to EN 13141-1

▲ Suitable for emergency escape.

Pane variant	--59	EN/ISO Standard
Thermal transmittance, U _w [W/m ² K]	1.4	EN ISO 12567-2
Sound insulation, R _w [dB]	32	EN ISO 717-1
Air permeability	Class 3	EN 1026
Light transmittance, τ _v	0.79	EN 410
Total solar energy transmittance, g	0.60	EN 410