



KOMFORT



U_d VALUE
(W/m² * K)



**MAXIMUM
LOAD**



**PROTECTIVE
FEET**



SEAL



HANDRAIL



**YEARS
GUARANTEE**



The mark of
responsible forestry



COMPLIANCE WITH
THE STANDARD

OMAN®

CLASSIC

EI

MINI

FLEX

SOLID

LONG

KOMFORT

36 mm

The KOMFORT loft ladder has got single sealing and hatch thickness 36mm. KOMFORT model is ideally suited to conditions where the attic is insulated and does not require additional thermal insulation. This ladder is equipped with non-slip feet, which perfectly adhere to the ground and prevent scratches on the floor surface. Our non-slip feet included in KOMFORT loft ladder provide an aesthetic finish for the ladder after cutting. To increase security and for comfortable use our KOMFORT loft ladder is also equipped with stable and durable handrail. In the interest of user convenience, the handrail has been designed in such a way that it can be mounted on the left or right side depending on customer preferences. The excellent quality of materials used for the production of stairs and attention to every details of finish cause that the stairs will satisfy even the most demanding customers. The maximum load during use is up to 160 kg.

Technical specification

Insulated hatch thickness	36 mm
Thickness of thermal insulation	30 mm
Hatch colour from both sides	White
Wooden ladder	3 sections
Height of wooden box	135 mm
Width of ladder	400 mm
Width of step	358 mm
Depth of step	80 mm
Landing space	134/148 cm
Opening distance/angle	160/166 cm
Maximum ceiling height	280 cm

Box dimensions [cm] AxB

110x55 120x55 130x55 140x55
 110x60 120x60 130x60 140x60
 110x70 120x70 130x70 140x70

Outer box dimensions, mounting opening 2 cm larger

Non-standard dimensions

Min - Max Length 110 - 140 cm
 Min - Max Width 54 - 85 cm

*Unusual dimensions available in full size of untypical stairs can not exceed 1 m²

Accessories



Masking batten

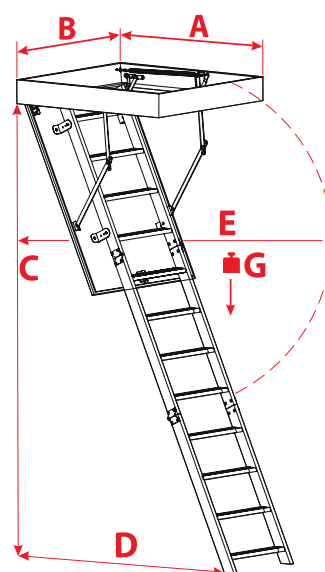


Mounting system



Hatch balustrade

Technical draw



A = 110	A > 110
C 280 cm	C 280 cm
D 134 cm	D 148 cm
E 160 cm	E 166 cm
G 160 kg	G 160 kg