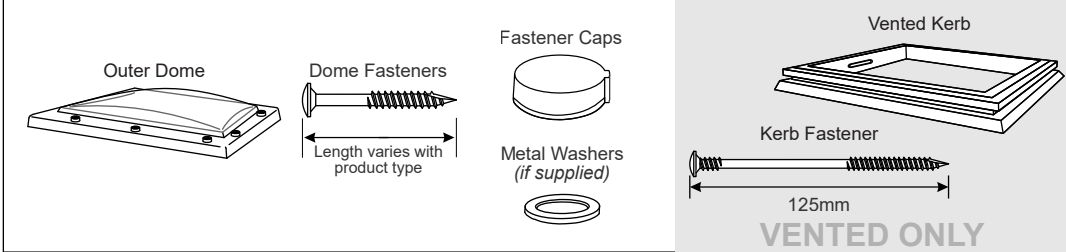


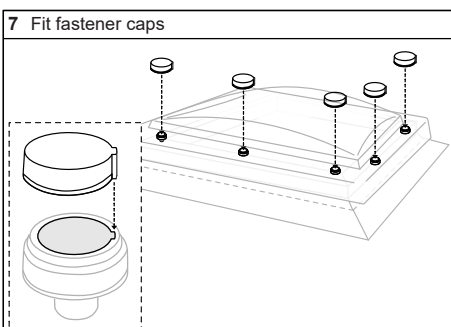
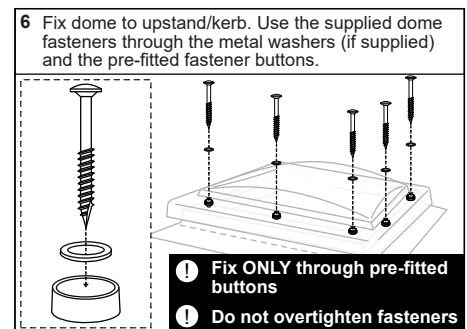
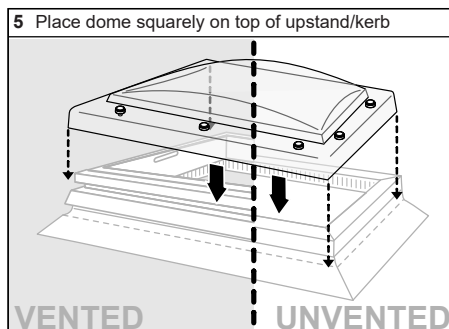
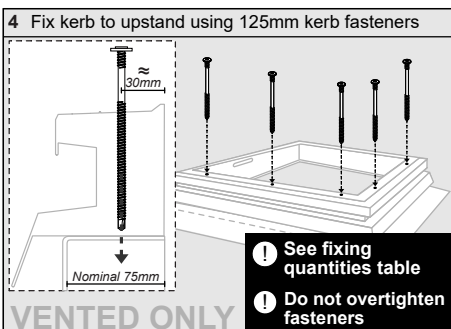
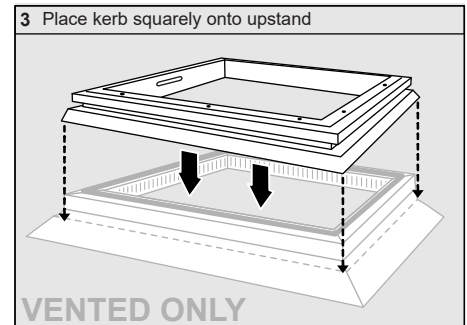
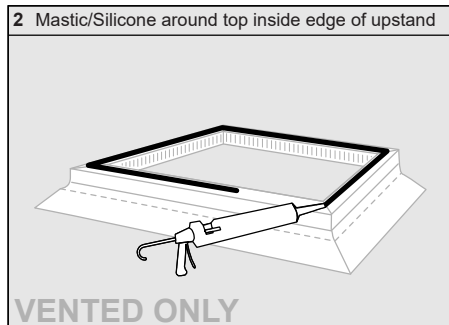
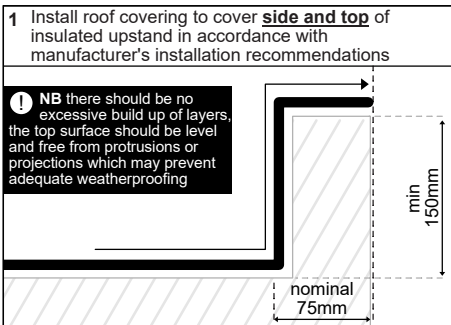
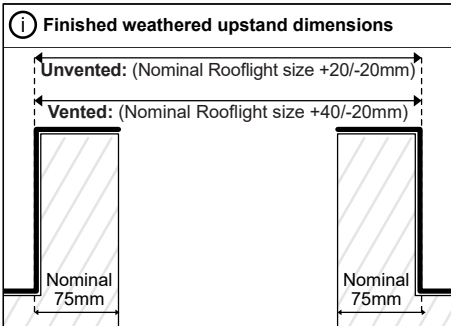


**Contents** **!** Take care when unpacking **!** Check all correct parts are included and undamaged **!** Only use fixings supplied

Fixing Quantities	
Length of Nominal Dome Side (mm)	Number of fixings per side
600, 750	2
900, 1050, 1200	3
1350, 1500, 1650	4
1800, 1950	5
2100, 2250	6
2400	7



**!** All Health & Safety Regulations must be followed on site throughout the installation process



**!** TECHNICAL SUPPORT: For any technical information/queries please contact your supplier. The manufacturer operates a policy of continuous product improvement, and reserves the right to alter specifications at any time without notice. Every effort has been taken to ensure all details contained in this document are correct at the time of going to press but this document should be used only as a guide and does not in any way form part of a contract or warranty. It is the customer's responsibility to ensure that the product is suitable for the actual conditions of use, which are beyond the control of the manufacturer.



VENTED  
SCAN FOR  
INSTALLATION  
VIDEO  
UNVENTED



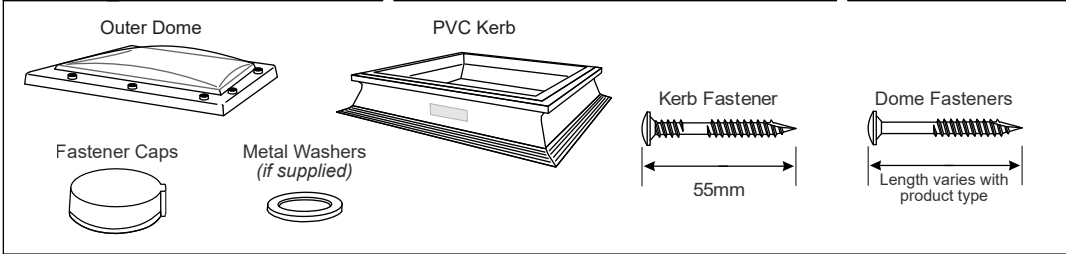
# Mardome Trade



# TB186

## Fixed Dome on PVC kerb

**Contents** **!** Take care when unpacking **!** Check all correct parts are included and undamaged **!** Only use fixings supplied



Fixing Quantities	
Length of Nominal Dome Side (mm)	Number of fixings per side
600, 750	2
900, 1050, 1200	3
1350, 1500, 1650	4
1800, 1950	5
2100, 2250	6
2400	7

**!** All Health & Safety Regulations must be followed on site throughout the installation process

**1 Mastic/Silicone around the edge of the roof opening**

**2 Place kerb squarely over roof opening**

**3 Fix kerb to roof using 55mm kerb fasteners**  
**Remove and retain label**

**!** See fixing quantities table  
**!** Do not overtighten fasteners

**4 Install roof covering according to manufacturer's installation recommendations**

**!** If required, lightly torch roof covering.

**!** NEVER apply direct heat or naked flame to the rooflight

**!** Fit using instructions on kerb label

**5 Terminate roof covering in accordance with instructions on retained kerb label**

**6 Place dome squarely on top of secured kerb**

**!** Ensure equal overhang on all sides

**7 Fix dome to upstand/kerb. Use the supplied dome fasteners through the metal washers (if supplied) and the pre-fitted fastener buttons.**

**!** Fix ONLY through pre-fitted buttons  
**!** Do not overtighten fasteners

**8 Fit fastener caps**

**!** TECHNICAL SUPPORT: For any technical information/queries please contact your supplier. The manufacturer operates a policy of continuous product improvement, and reserves the right to alter specifications at any time without notice. Every effort has been taken to ensure all details contained in this document are correct at the time of going to press but this document should be used only as a guide and does not in any way form part of a contract or warranty. It is the customer's responsibility to ensure that the product is suitable for the actual conditions of use, which are beyond the control of the manufacturer.

