

Fixing Quantities

Length of Nominal Dome Side (mm)	Number of fixings per side
600, 750	2
900, 1050, 1200	3
1350, 1500, 1650	4
1800, 1950	5
2100, 2250	6
2400	7

(All fixings supplied in packs of 5.)

Installation Instructions

a Install roof covering to cover existing upstand in accordance with manufacturer's installation recommendations.

i **N.B.** It is important that there should be no excessive build up of layers, the top surface should be level and free from any protrusions or projections which may prevent adequate weather proofing.

b Carefully remove dome from its packaging.

c Affix the supplied self adhesive seal to the underside of the flange on the dome.

i **N.B.** Protect top of dome using cloth, sheet or foam packaging.

d Pre-drill holes through dome on all sides at 5mm diameter.

See above **Fixing Quantities** table for the correct quantity of holes required for the size of the dome.

i **N.B.** Length of side refers to the nominal dome size (equivalent to external size of existing upstand.)

e Place dome squarely on top of the completed upstand.

f Fix the dome to the existing upstand. Use 55mm dome fastener with fastener button and both steel and foam washers.

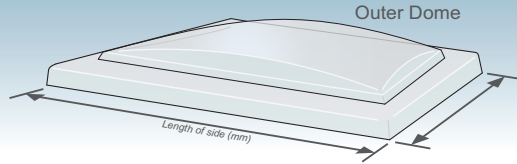
g Fit fastener caps to each button.



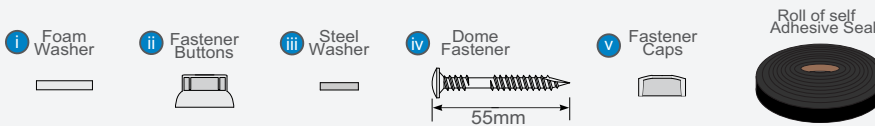
Mardome Contents

i Please unpack and check that all correct parts are included and undamaged.

All Mardome Reflex



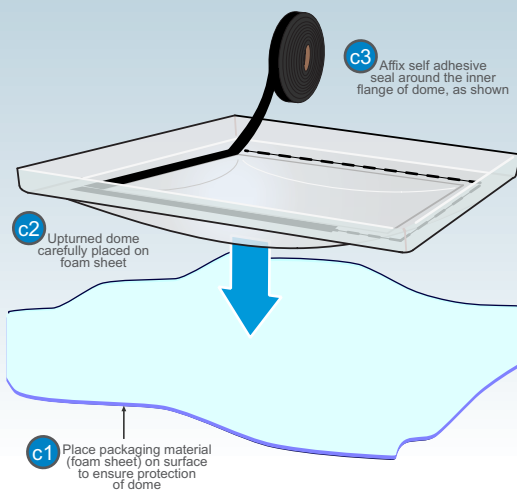
With this assembly, you will receive:
Reflex Dome Fixings and Accessories



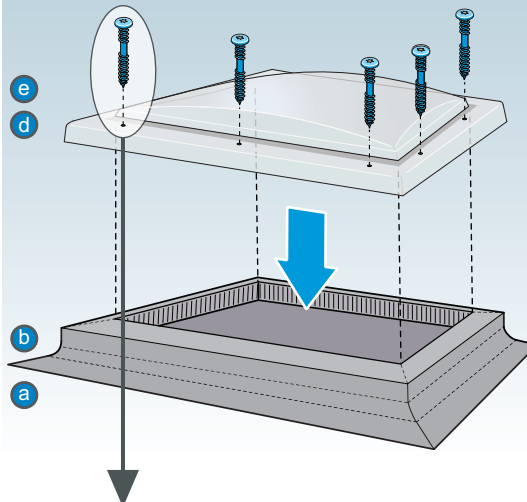
Mardome Installation

! Please note that all Health and Safety Regulations must be followed on site throughout the installation process.

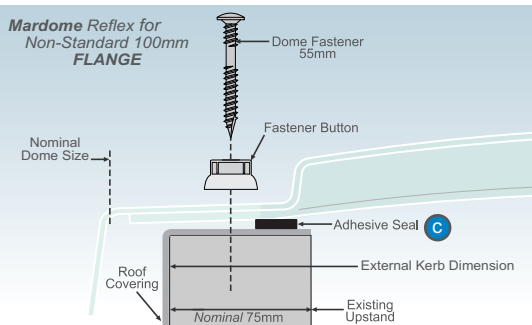
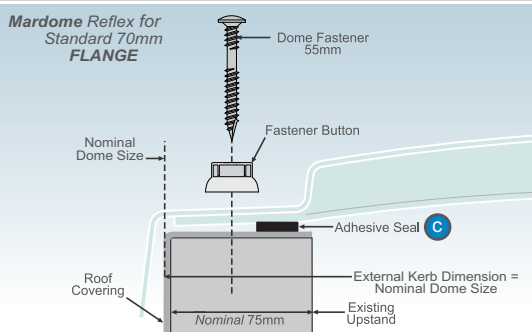
c Reflex Dome Adhesive Seal Application



Reflex dome on to existing upstand

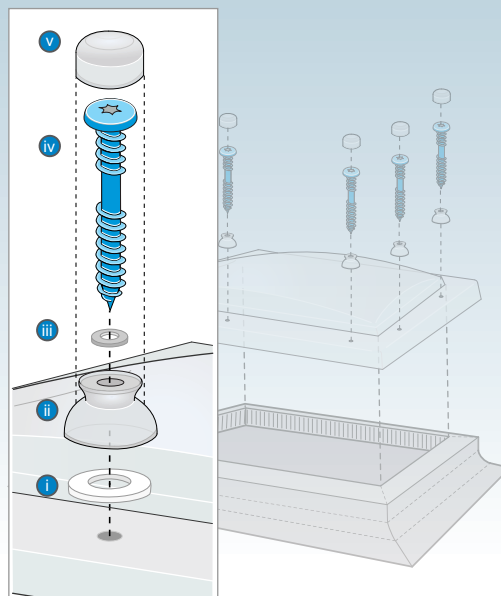


Adhesive Seal and Dome Fixing



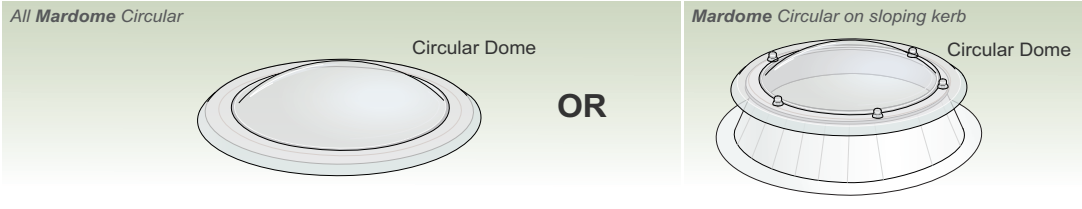
Dome Installation Details

f 9 For All Reflex Domes



! **TECHNICAL SUPPORT:** For any technical information/queries please contact your supplier.

Mardome Contents ⓘ Please unpack and check that all correct parts are included and undamaged.

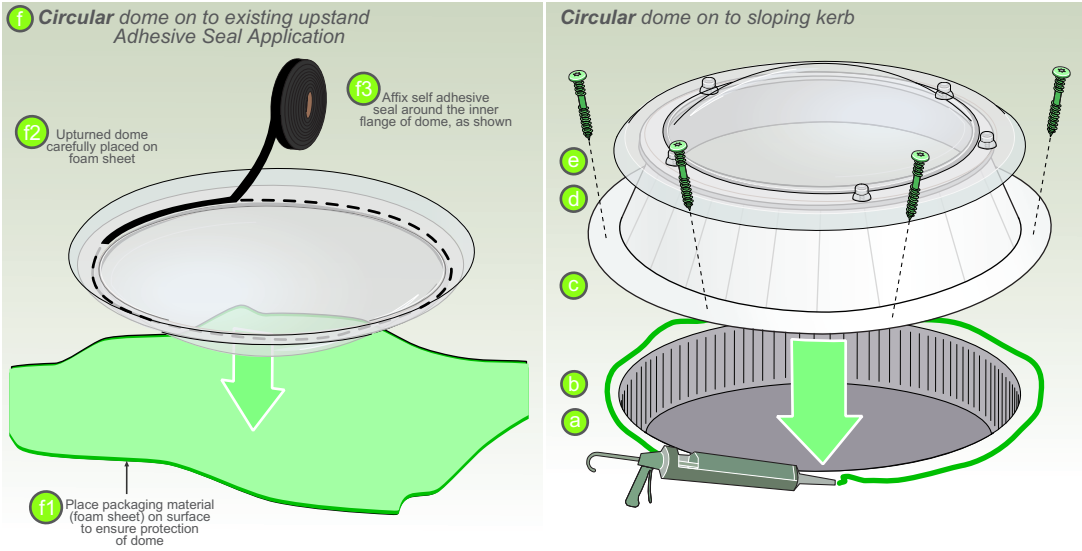


Fixing Quantities

Nominal Diameter of Dome (mm)	Number of fixings (minimum)
600	6
750	8
900	9
1050	10
1200	12
1350	14
1500	15
1800	20

(All fixings supplied in packs of 5.)

Mardome Installation ⚠ Please note that all Health and Safety Regulations must be followed on site throughout the installation process.

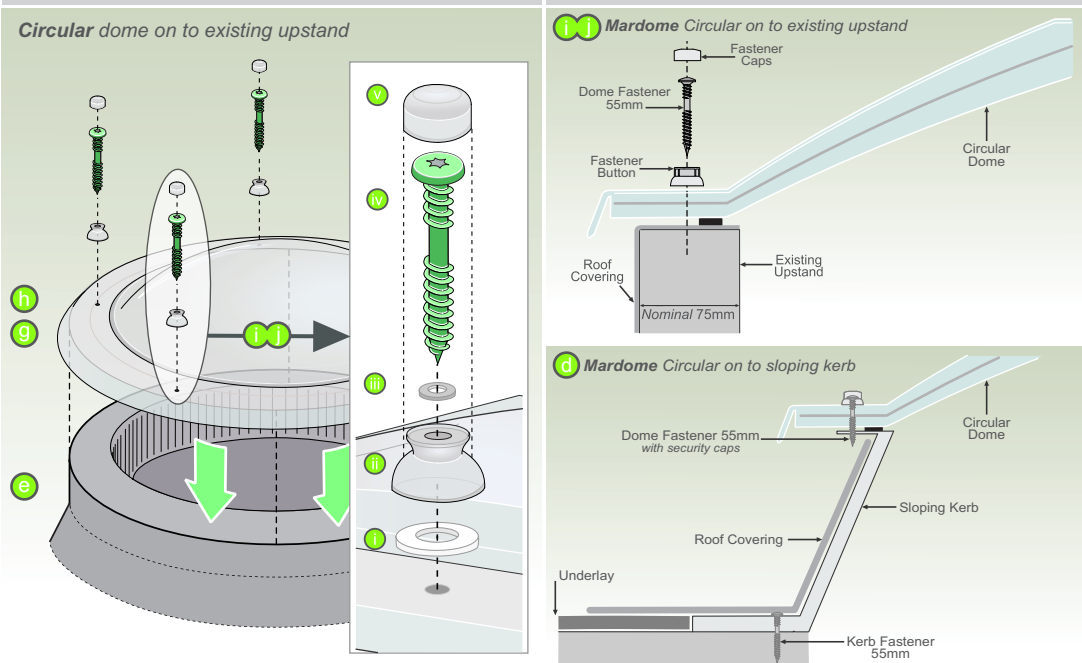


ⓘ Equal spacing between fixings approximately 300mm

Installation Instructions

- ⚠ **ONLY** use the fixings supplied!
- a For circular dome on to existing upstand, go to e.
 - Mastic/Silicone around the edge of the roof opening.
 - b Carefully remove dome from it's packaging.
 - c Correctly align sloping kerb assembly with internal roof aperture.
 - d Fix kerb to the roof using the 55mm kerb fastener.
- See above **Fixing Quantities** table for the correct quantity of holes required for the size of the dome.

Mardome Installation Continued



- e Install roof covering to cover existing upstand or sloping kerb in accordance with manufacturer's installation recommendations.
- ⓘ **N.B.** It is important that there should be no excessive build up of layers, the top surface should be level and free from any protrusions or projections which may prevent adequate weather proofing.
- For circular dome on to sloping kerb, installation is now complete.
- f Carefully remove dome from it's packaging and affix the supplied self adhesive seal to the underside of the flange on the dome.
- g Pre-drill holes through dome at 5mm diameter.
- See above **Fixing Quantities** table for the correct quantity of holes required for the size of the dome.
- h Correctly align dome and place on top of the completed upstand.
- i Fix the dome to the existing upstand using 55mm dome fastener with button and both steel and foam washers.
- j Fit fastener caps to each fastener button.