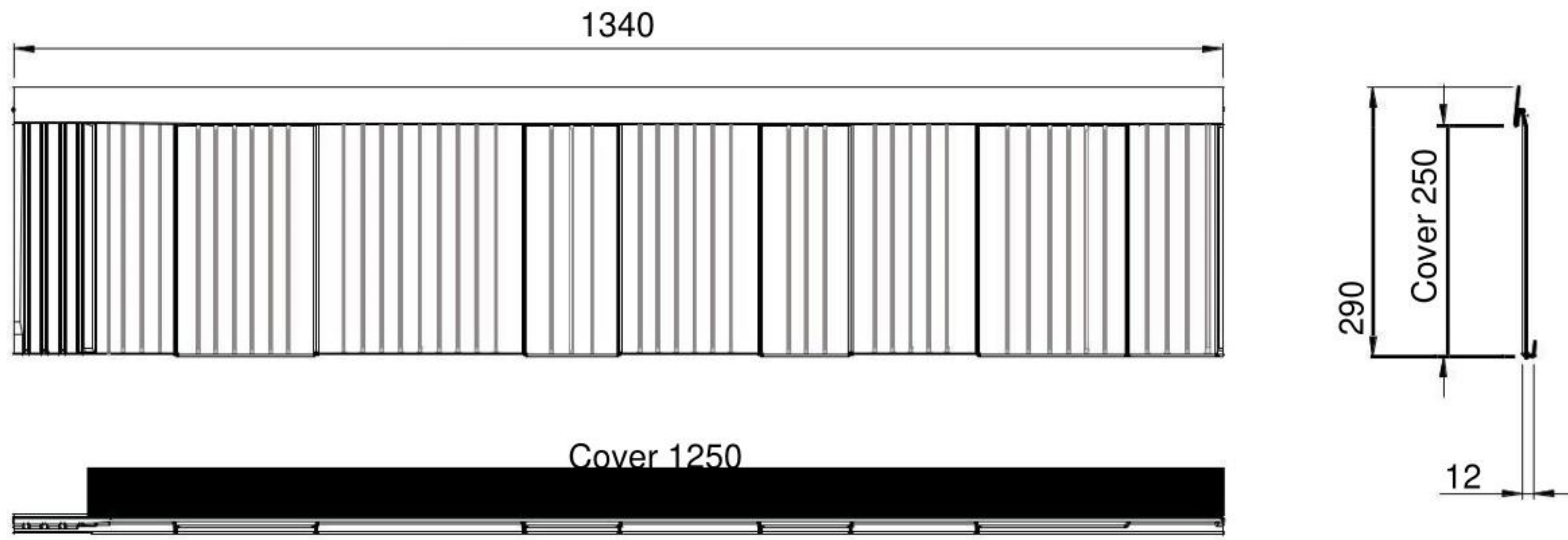
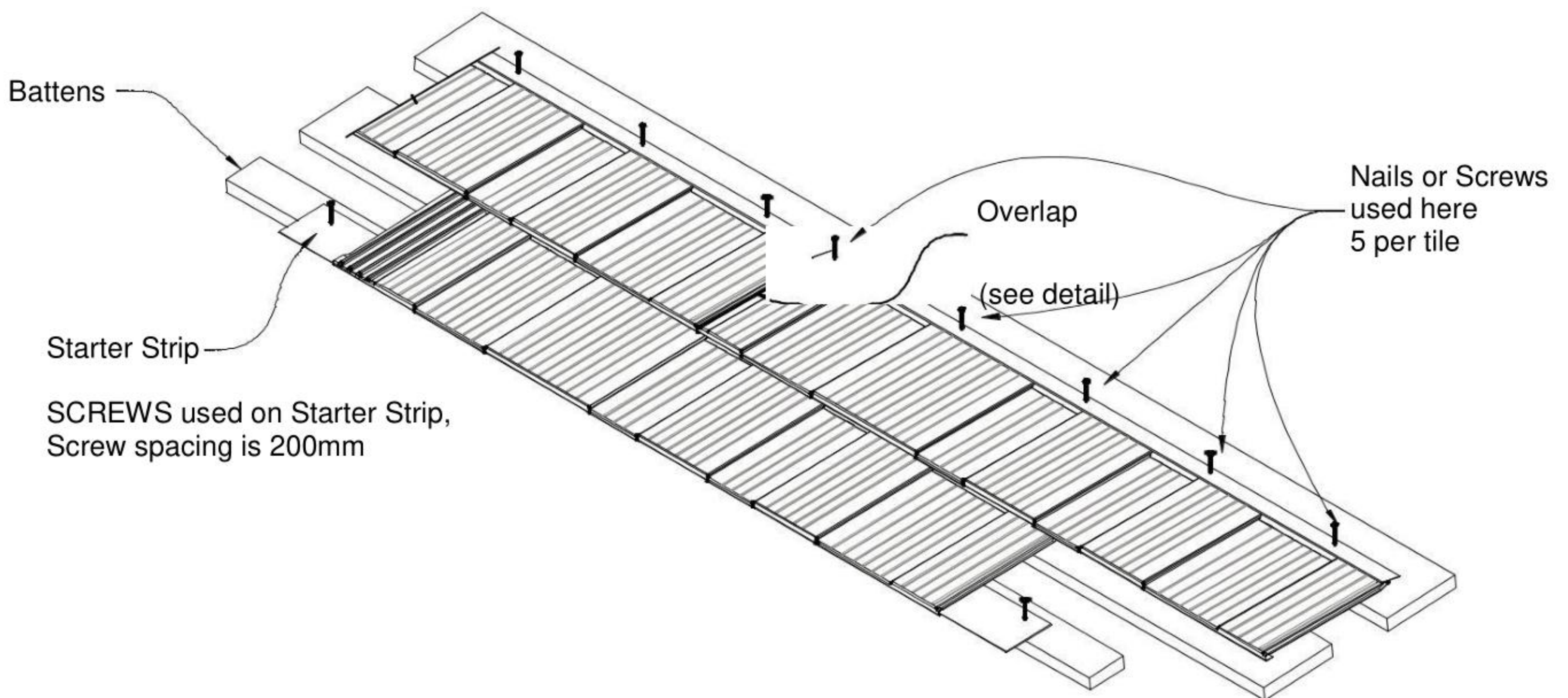


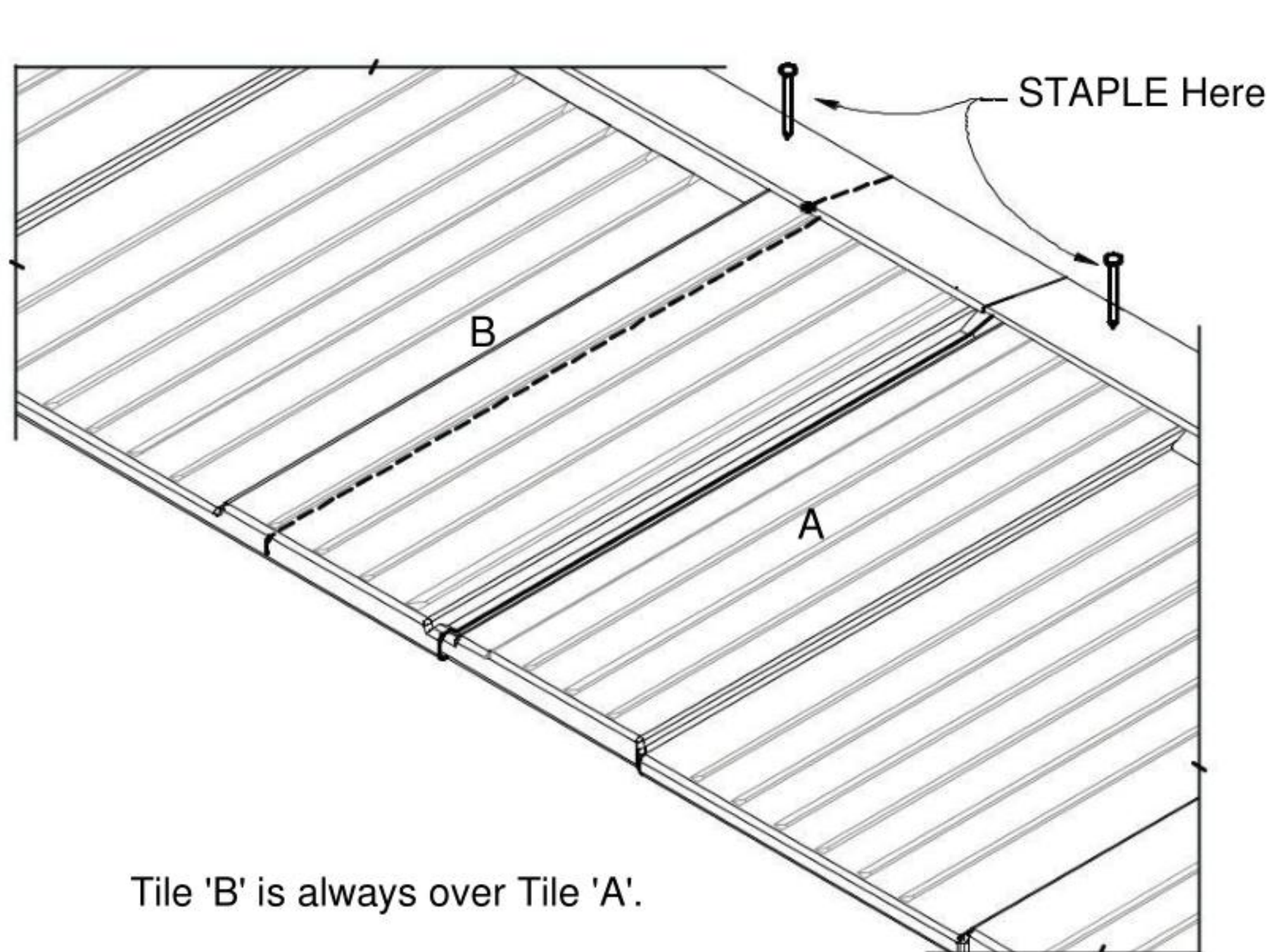
General Arrangement
Dimensions and Details



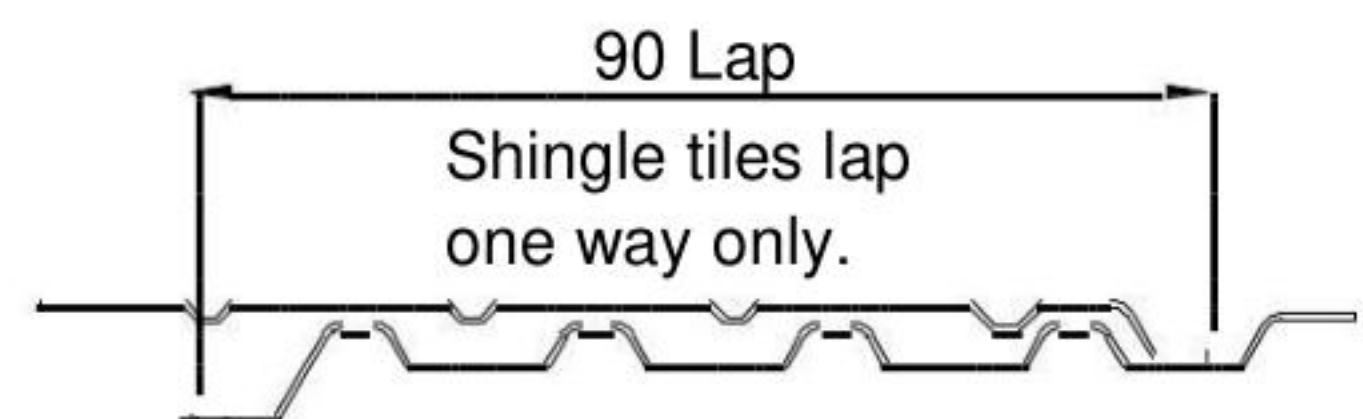
Tile Dimensions



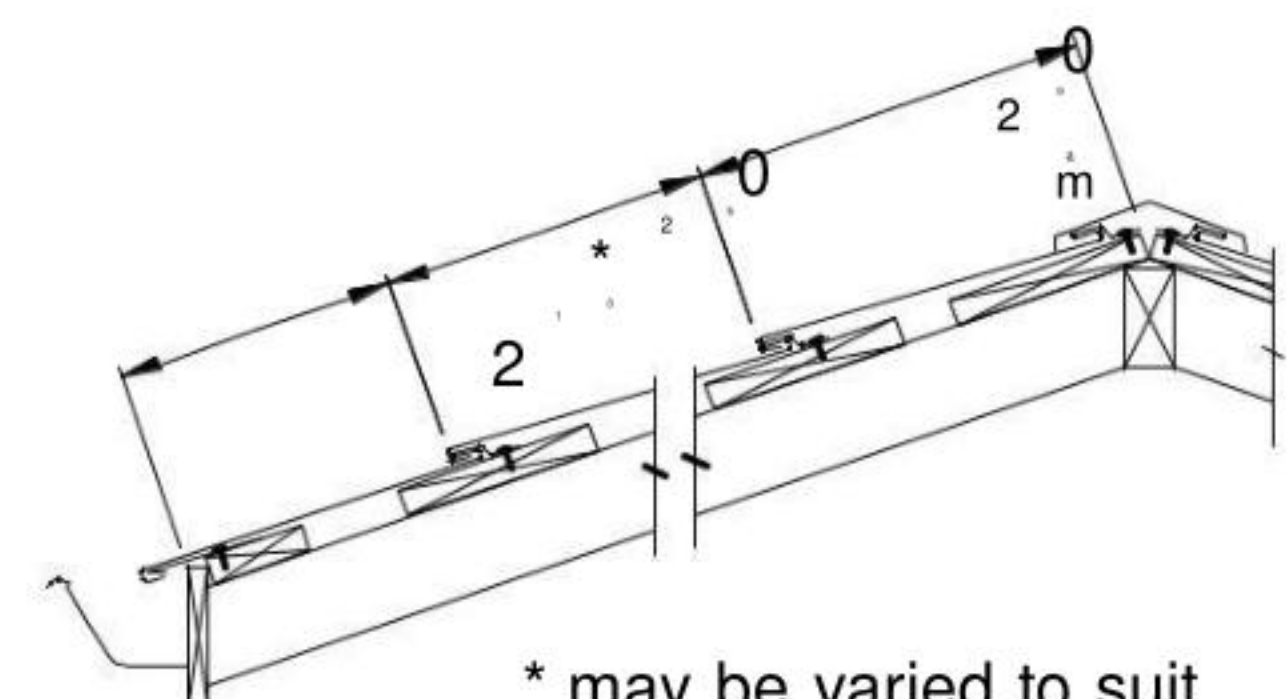
Fastening Detail



Overlap Detail



Lap Section



Batten Layout