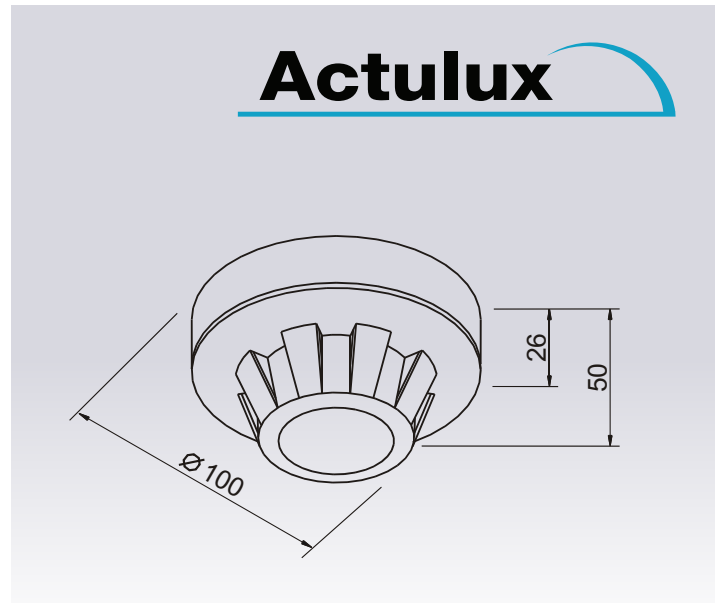




Smoke Detector
detection of fire



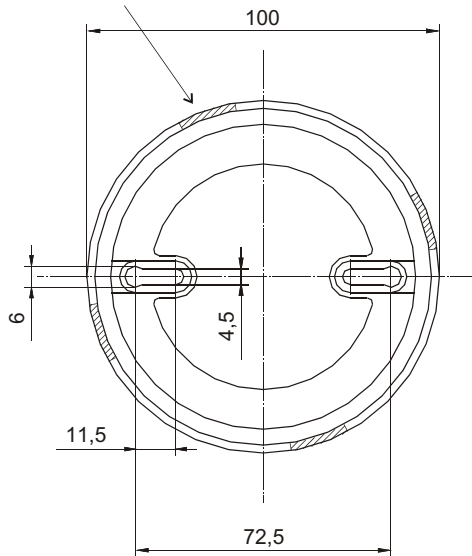
Smoke Detector

SMOKE DETECTOR FOR DETECTION OF FIRE

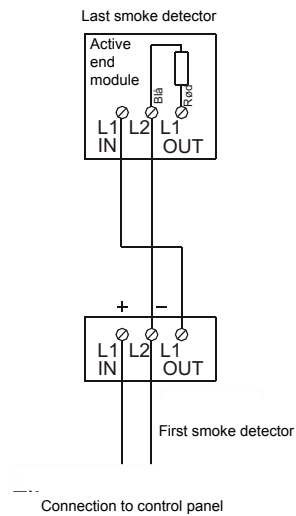
Smoke detector for early fire detection with visual “release” display.

The smoke detector is including mounting base and installation must always be horizontally beneath the ceiling.

CABLE OUTLET



ELECTRICAL CONNECTION



Approval no.: G200017

FEATURES

Connection voltage: 24VDC
Current consumption (rest): 0.1 mA
Cabinet: White plastic, round
Operating temperature: -20° to 60° C
Trigger current: 50mA
Item no.: 111740