

# INSTALLATION & USER MANUAL

CLIMATE  
CONTROL UNIT

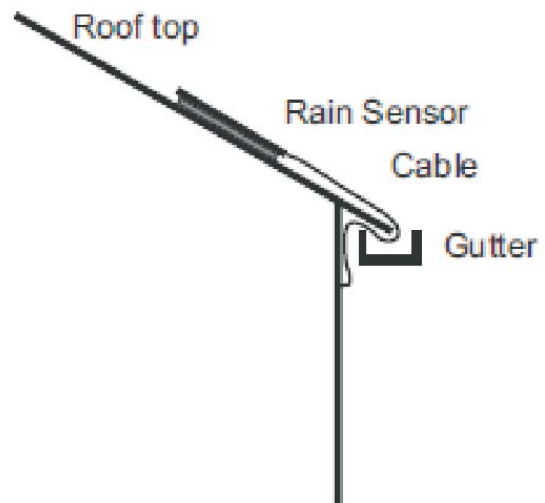
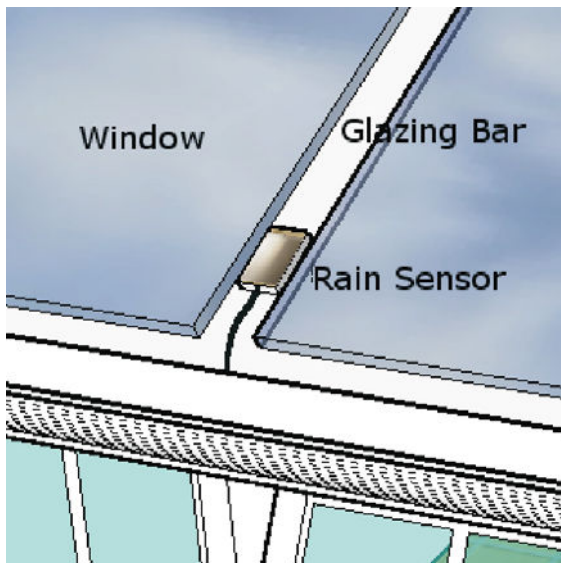
# EA10



\* enclosure design may vary

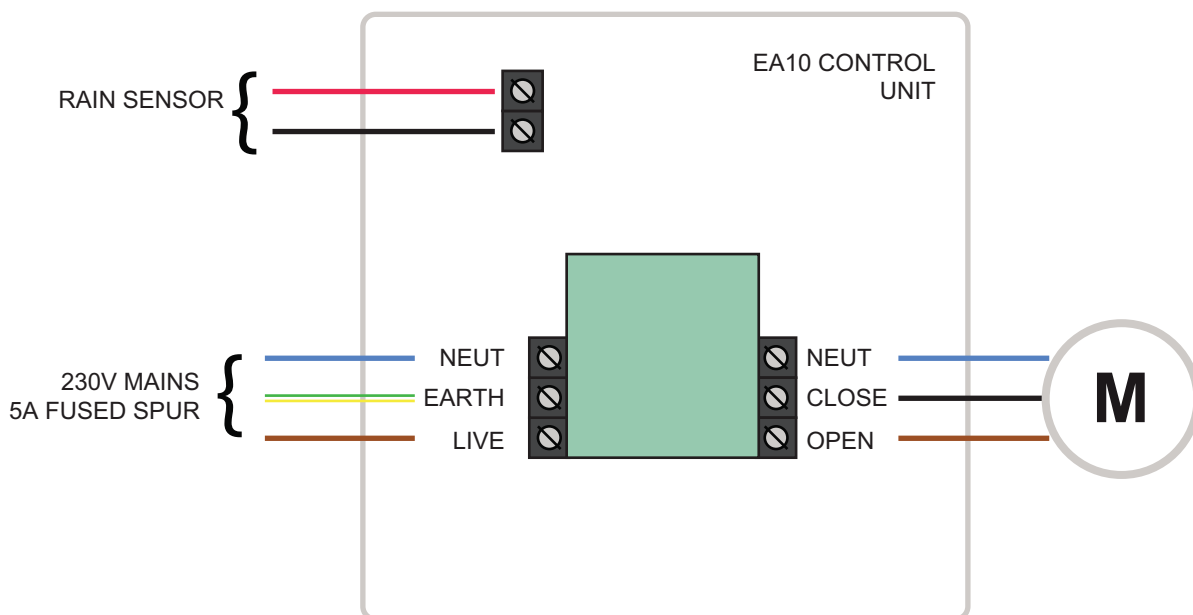
software version: EViii

## RAIN SENSOR



- The position of the rain sensor should be outside on the conservatory glazing bar.
- Clean the surface and remove the double sided tape on the back of the sensor.
- Push down to make a good fixing (do not rub).
- Make sure the cable is facing downwards from the sensor.
- Run the cable back to the CCU1 control unit and connect the red and black wires to terminals marked 'rain sen'. Please use the screen if you are running the rain sensor cable with mains cable in the same conduit.

## CONNECTIONS



- We recommend the EA10 control unit is positioned approximately 1.2m from floor level.
- The installation of all electrical items must be undertaken by a qualified professional. Do not use cable thicker than 1.5mm and multi-strand if possible for flexibility.
- This controller will fit into any standard one-gang surface or flush 45mm back box.

# OPERATION

- 1** If you turn the control knob completely to the left the windows will close and remain closed, alternatively if you rotate the knob completely to the right the windows will open and stay open irrespective of the weather conditions.
- 2** Turn the knob to any position between the extremes and you engage the auto mode which will open or close the windows based upon the temperature selected on the dial. Should it rain whilst in auto mode the controller will close the windows resuming auto opening when the sensor has dried.
- 3** For the rain sensor to operate and the window/s to close automatically the dial must be set on a temperature and not at either extreme of its travel.
- 4** This is not a scientific instrument and therefore its temperature settings are only to be used as a guide as there may be inaccuracies between the controller and other devices.

