



Fence Gate Installation Guide

Contents

Important Note	2
Fence Gate Parts Overview	3
Fence Gate Parts Introductions	4
Fence Gate Installation	6-10
Finished Installation Size	10
Maintenance Guidelines	11

Please consult local zoning laws in regards to the load requirements and bottom space requirements for fence gate. All supporting structures must be in accordance with applicable building codes. Neighbourhood associations and/or historic districts may regulate size, type, placement and ability of fencing. Apply for permits if required by local authorities and codes. Ensure compliance prior to installation. Local building code requirements will always supersede all suggested procedures and measurements in the following installation instructions. These installation instructions are intended as a general guideline on common building practices used in fence gate installations.

Important Note

Prior to installation, consult local planning laws and installation must comply with any such planning laws. Diagrams and instructions are for illustrative purposes only and are not a substitute for professional guidance. Consumers bear full responsibility for all risks and liabilities associated with construction, installation, and product usage.

Safety

When dealing with any type of construction project, wear appropriate safety equipment to avoid any injuries. We recommend using the following safety equipment when handling, cutting, and installing fencing/gate products: gloves, a dust mask, long sleeves and safety glasses.

Tools

A clean, smooth, flat and strong surface is needed to install this product correctly. If installation is not carried out immediately following receipt of the composite fencing components, the components should be stored on a flat surface at all times. Never place on an uneven surface.

Environment

Plan a layout for your fence/gate before installation to ensure the best possible results for your project. We recommend drawing out a site plan of your proposed project that you intend to do to minimise errors.

Planning

Plan the layout for your fencing/gate before you begin to ensure you get the best result for your fencing/gate project. Check to see if any planning laws are applicable (prior to any installation). We recommend planning the overall layout approach and scope of the layout prior to installation to try to avoid mistakes in this area.

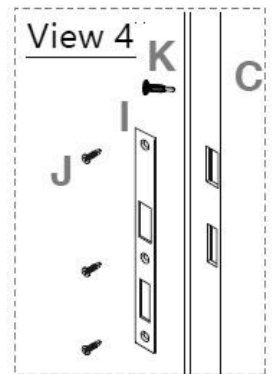
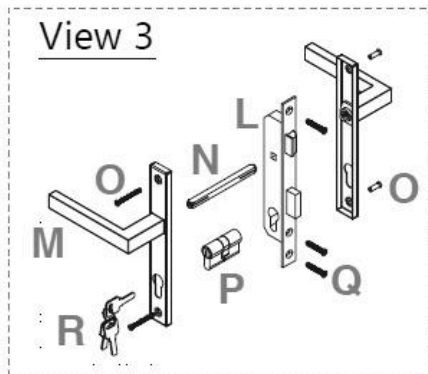
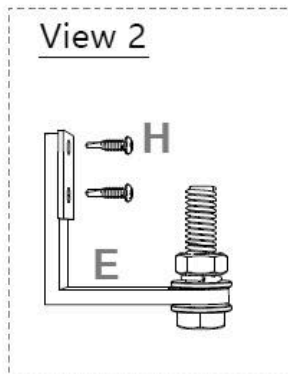
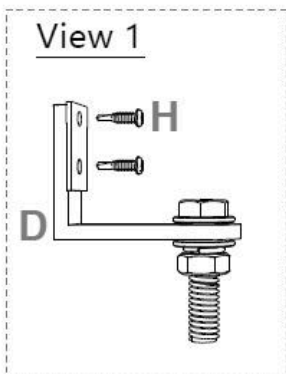
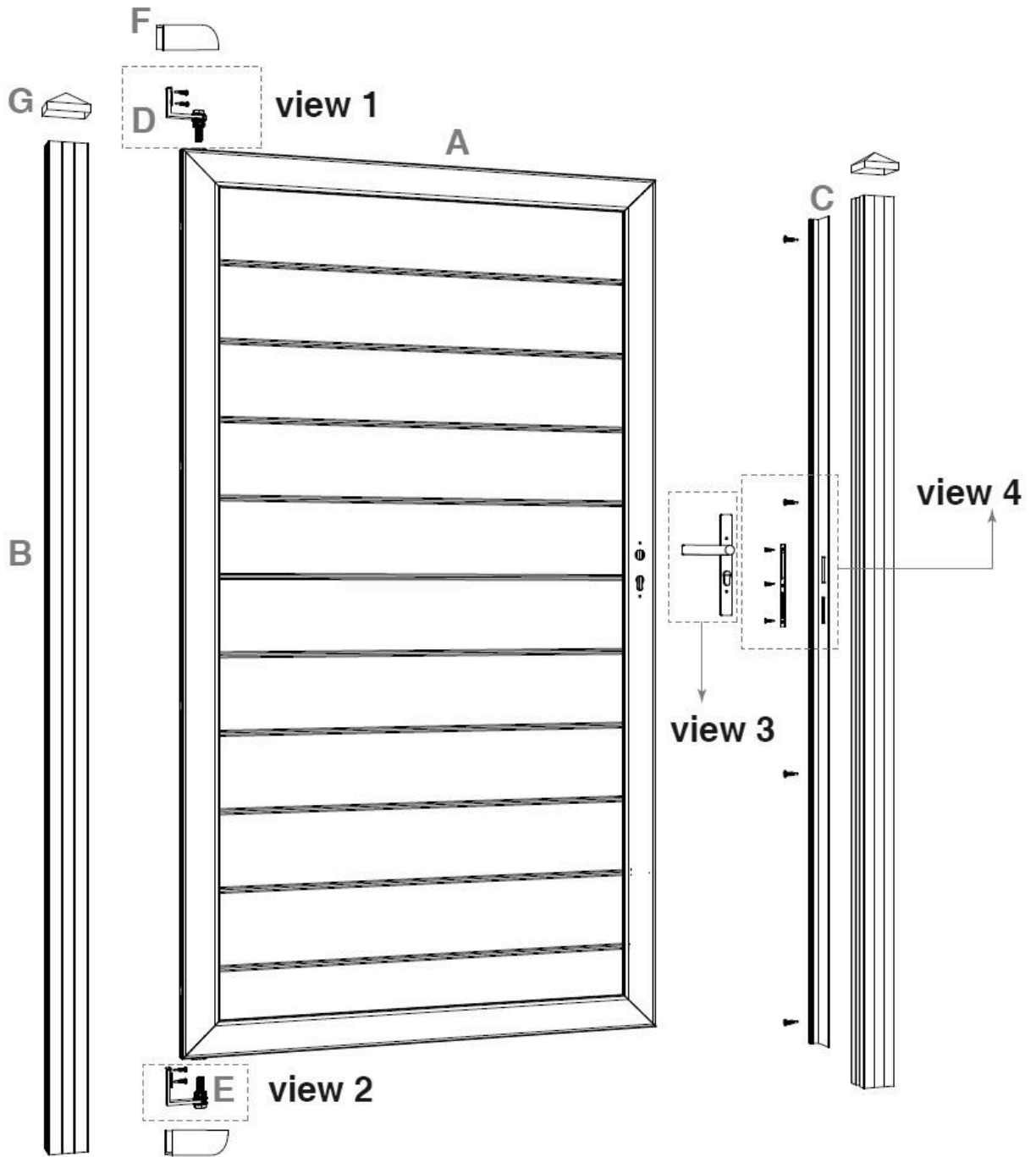
Construction

This product is NOT intended for use as columns, support posts, beams, joist stringers or other primary load bearing members.

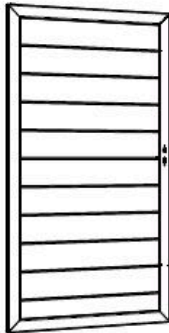


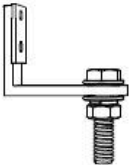
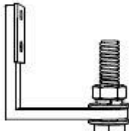
Static

Static build-up is a naturally occurring phenomenon that can occur with many composite products. Dry and windy environments may make this even more apparent; this all varies depending on the climate and age of the fence/gate.














Fence Gate Parts Overview




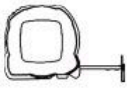

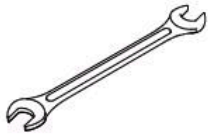

Fence Gate Parts Introduction

Code		Qty	Description
A-HXFG01		×1	Fence Gate
B-HXF1002		×2	Fence Gate Post
C-HXFGC02		×1	Door Stop
D-HXFGC03		×1	Door Top Hinge
E-HXFGC04		×1	Door Bottom Hinge

Fence Gate Parts Introduction

Code		Qty	Description
F-HXFGC05		2	Door Hinges Cap
G-HXFGC06		2	Post Cap
H-HXFGC07		4	SS Screw
I-HXFGC08		1	Right Strike Plate
J-HXFGC09		3	Self-Drilling Screw
K-HXFGC10		4	SS Screw
L-HXFGC11		1	Lock Case
M-HXFGC12		1	Handle
N-HXFGC13		1	Handle Spindle Shaft
O-HXFGC14		2	Binding Screw
P-HXFGC15		1	Key Cylinder
Q-HXFGC16		3	SS Screw
R-HXFGC17		1	Lock Key

Tool List

				
Electric Drill	Tape Measure	Hammer	Spanner	Spirit Level

Fence Gate Pre-Installation

Mark the reference positions for the door opening installation, ensuring that the clear width of the door opening is 10-15mm larger than the width of the door leaf. Before installation, ensure that the door posts (left and right vertical posts) are vertical and level and securely bedded in concrete.

Concrete foundation installation:

It is recommended that the door post be embedded at a depth of no less than 400-500mm and be fixed using concrete with a strength grade of C25 or above; the door should only be installed after the concrete has fully cured for 24 - 48 hours.

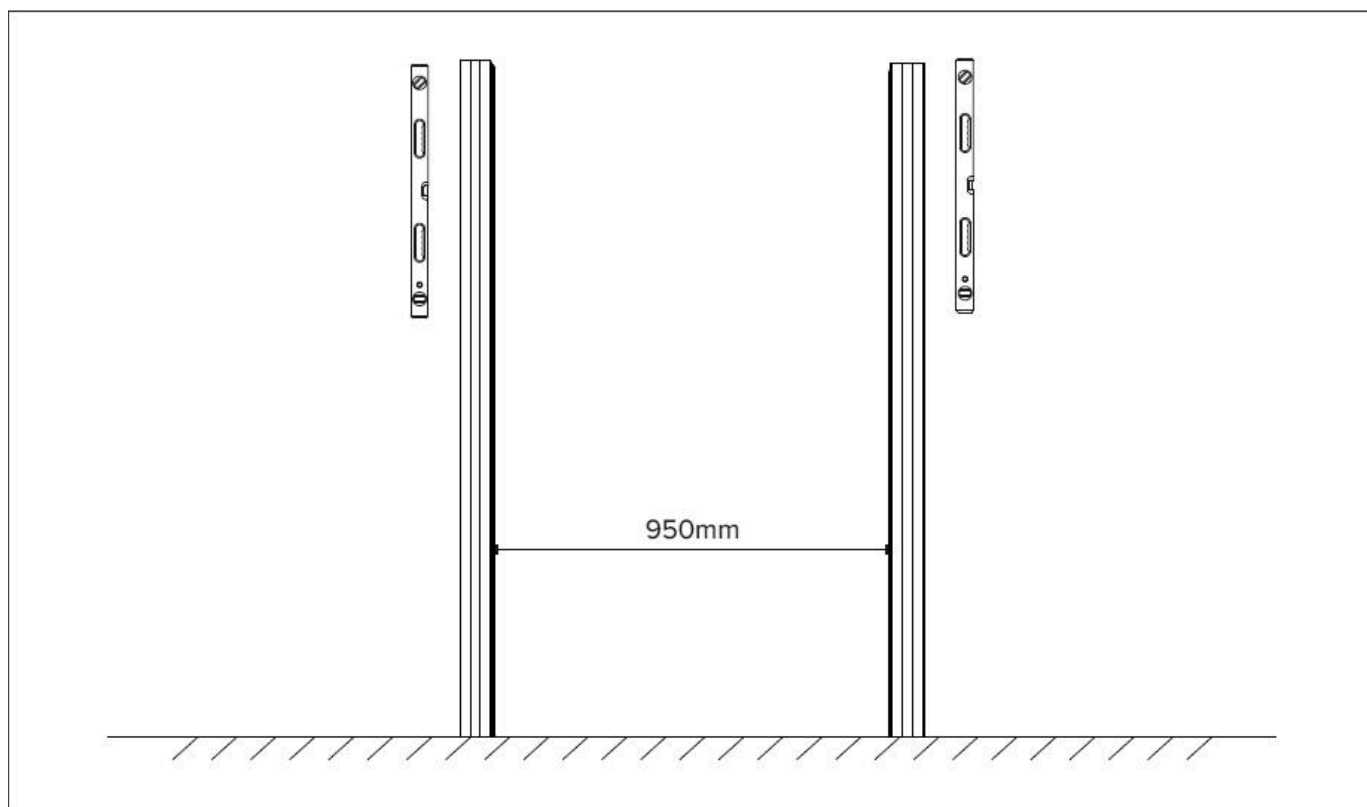
Pre-installation Check:

Confirm the gate opening direction before installation. The following installation instructions apply to a left-hand, outward-opening configuration.

Fence Gate Installation

1 Confirm Post Spacing

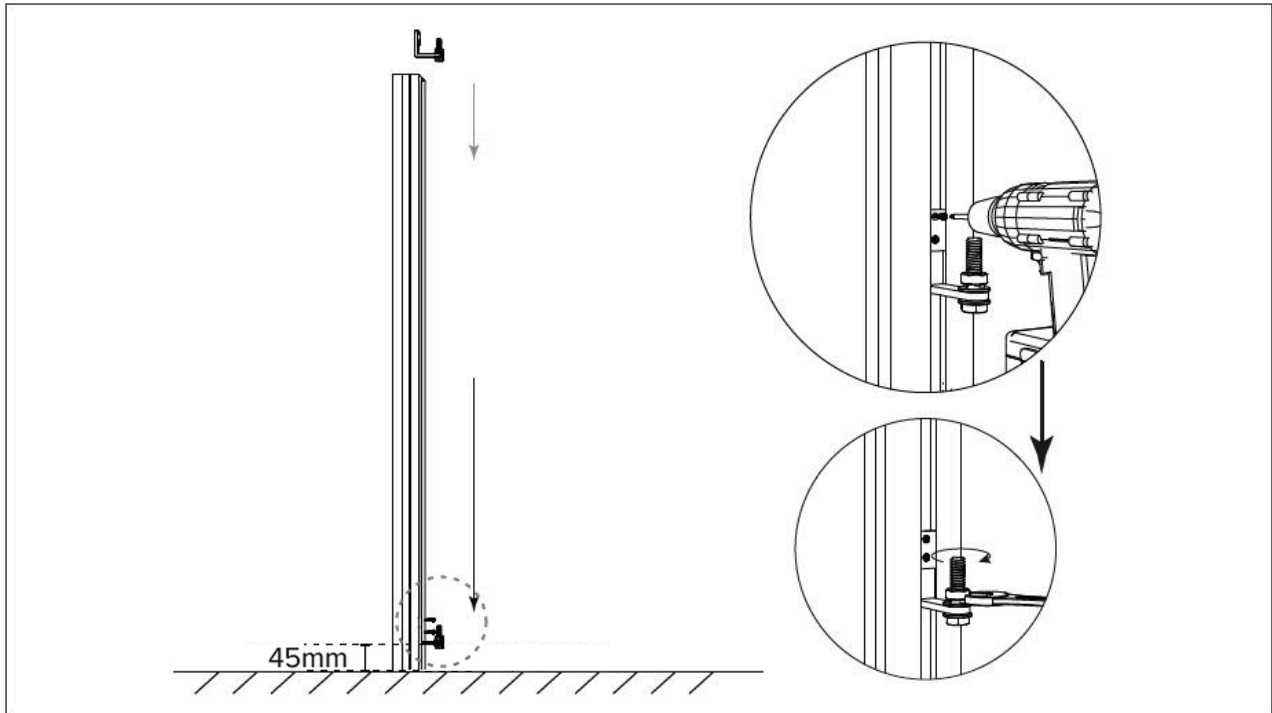
Before installation, ensure the spacing between posts (HXF1002) is accurately set to 950mm. Confirm that the posts are properly aligned and securely embedded into concrete.



Fence Gate Installation

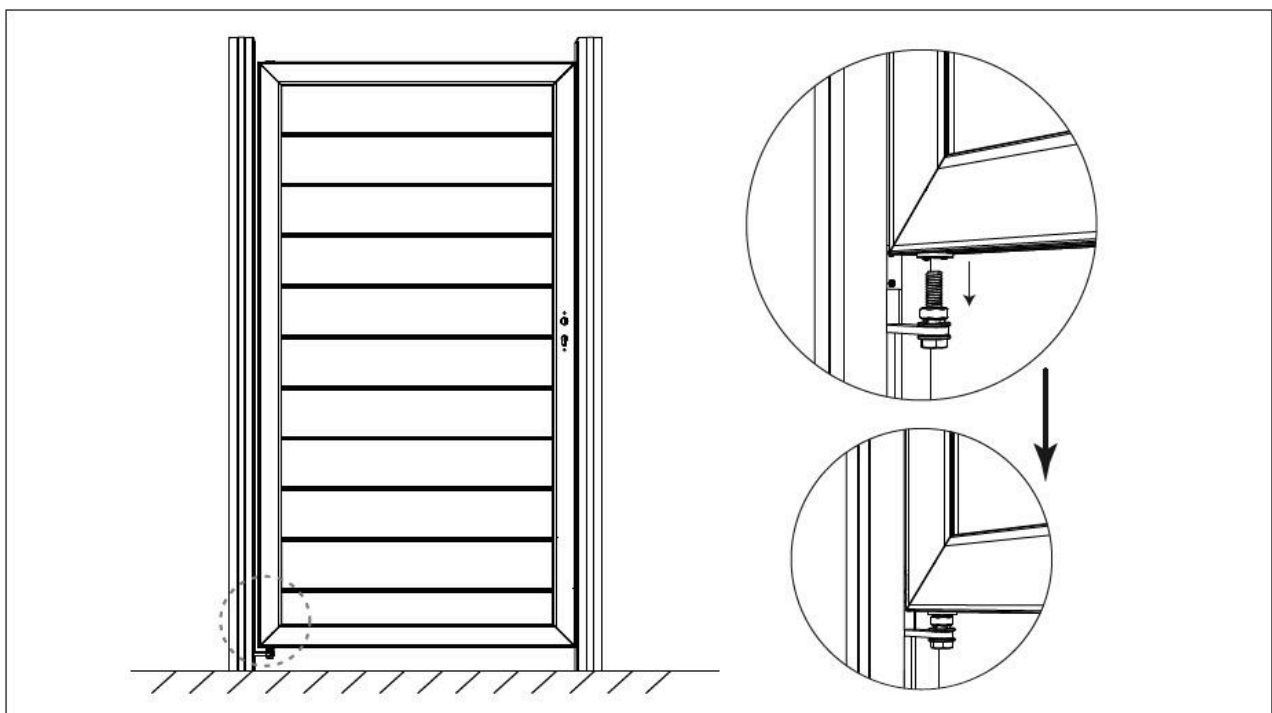
2 Install Bottom Hinge

Determine the orientation of the Door Bottom Hinge (HXFGC04) according to handing of the door and, insert it in the U-shaped groove at the top of the gate post and slide it down towards the bottom of the posts. Position the hinge so that the bottom of the bracket is 45mm above floor level and use an M4.8 set screw to position and secure the hinge first, then use a 17mm spanner to tighten the hinge pin nut.



3 Mount the Gate

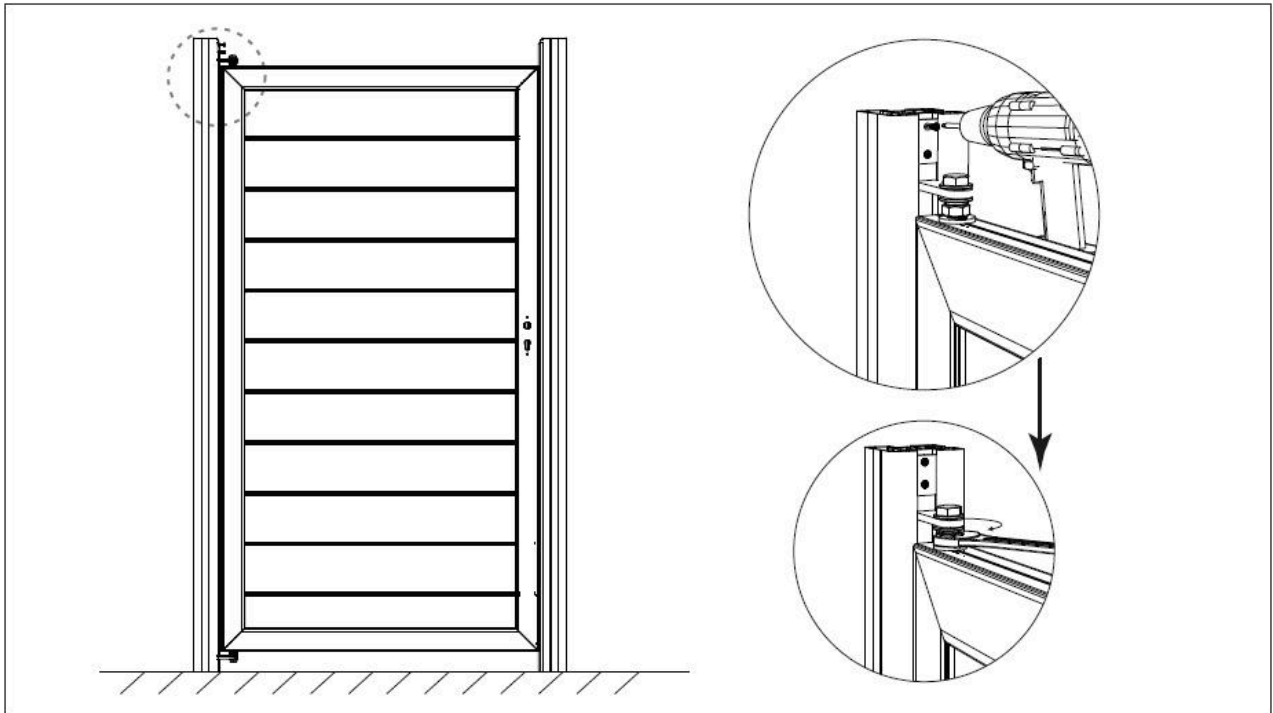
Align the hinge pin of the Door Bottom Hinge with the hinge hole on the corresponding side of the Fence Gate (HXFG01) and lower the gate onto the hinge pin ensuring it is located into position.



Fence Gate Installation

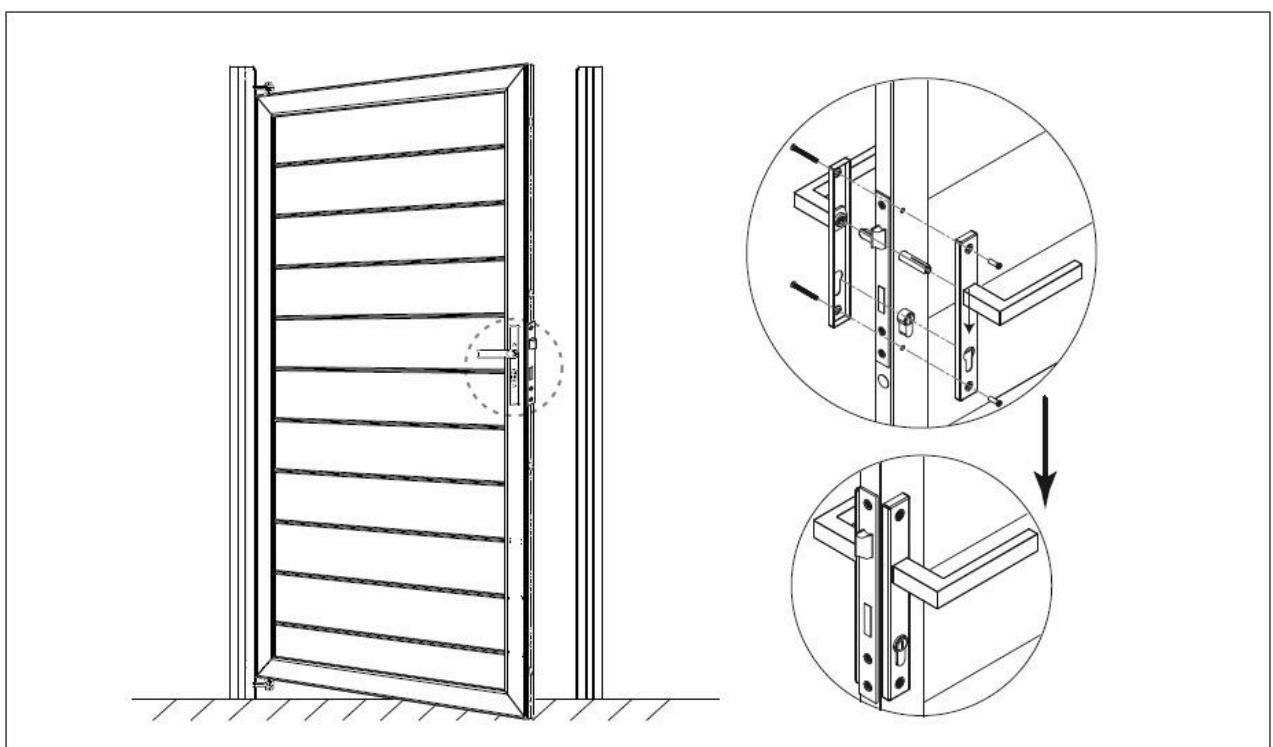
4 Install Top Hinge

Slide the Door Top Hinge (HXFGC03) into the top of the post and locate the hinge pin into the corresponding hole in the top of the gate. Secure the hinge to the post using M4.8 screws. Using a 17mm spanner adjust the top and bottom hinges to ensure equal gaps at the hinge side. The gaps can be fine-tuned once the door stop strip and lock keep plate have been fitted.



5 Install Lock Set

The lock holes on the gate and door stop strip have been pre-drilled. Insert the lock components (see View 3 on page 3) into position and secure the lock body and handle, ensuring smooth operation of the lock.



Fence Gate Installation

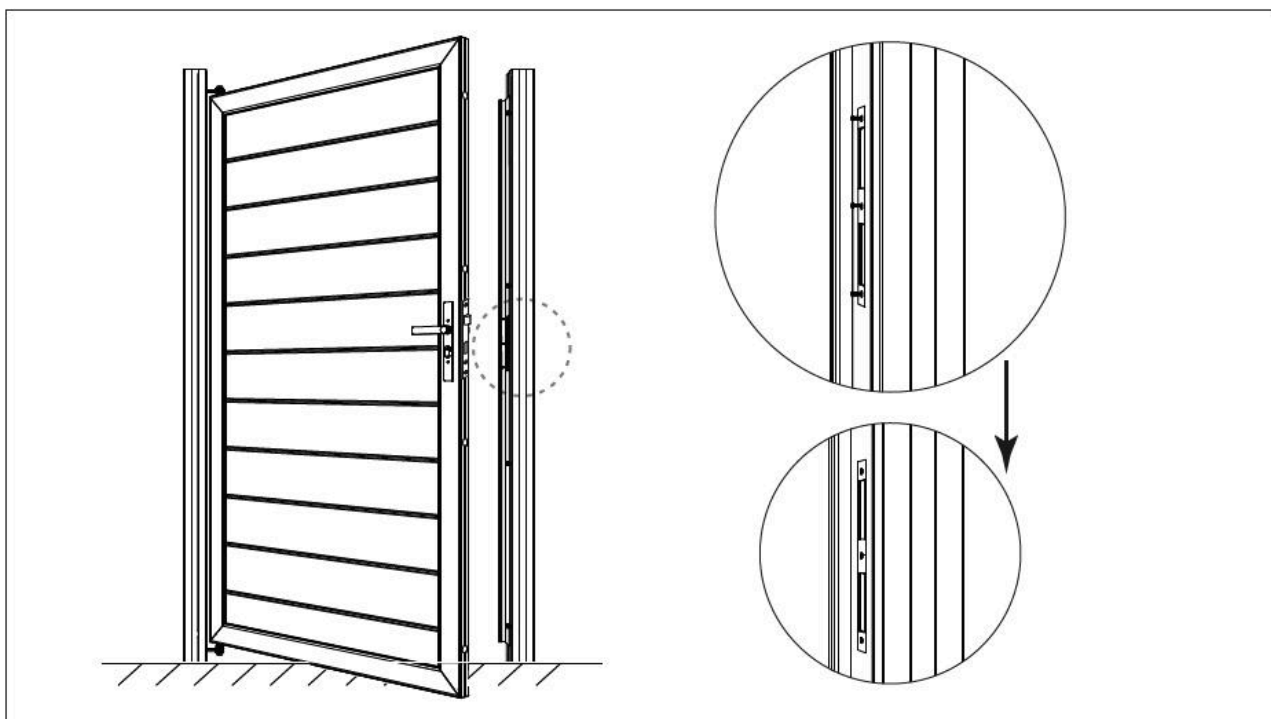
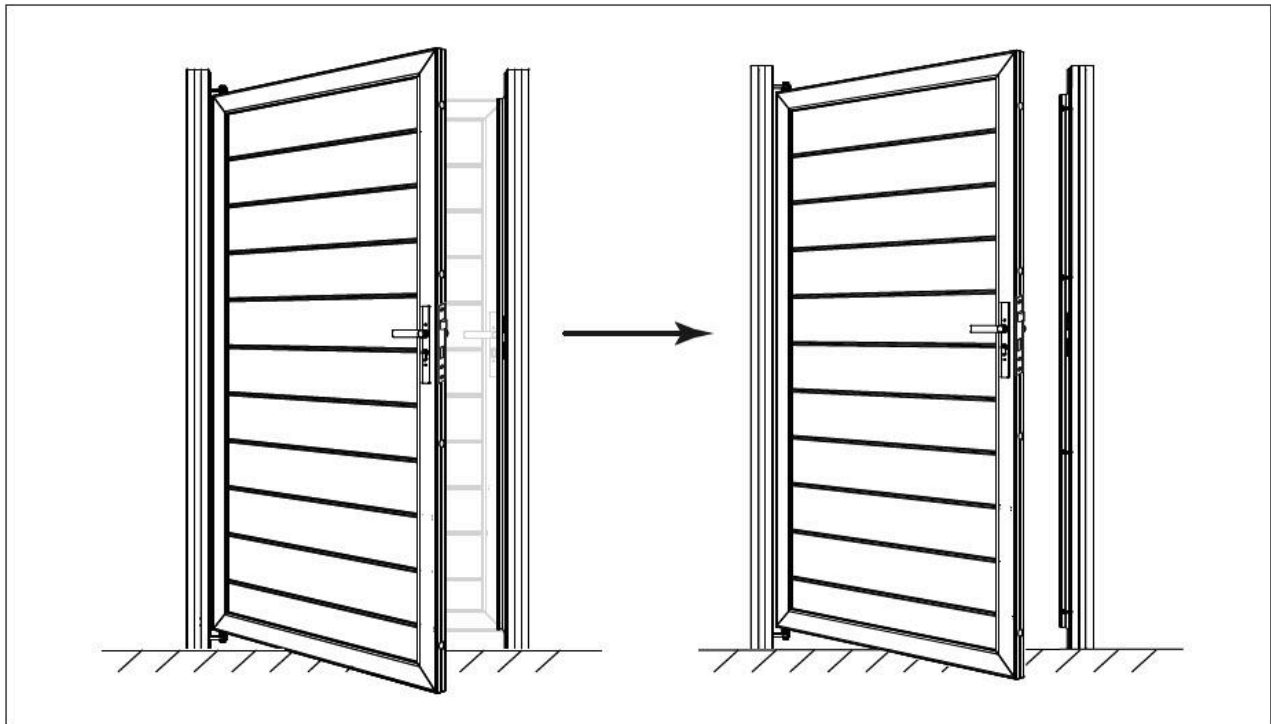
6 Install Door Stop and Right Strike Plate

Door Stop (HXFGC02) Positioning:

Position the door stop strip into the channel in the post and align with the door lock. Ensuring the door stop strip is flush with the edge of the post, secure it with the provided screws.

Right Strike Plate (HXFGC08) Installation:

Close the fence gate and mark the corresponding position of the gate lock latch on the door stop strip. Align the right strike plate with the marked position and secure it with screws. Open and close the gate repeatedly to confirm that the latch fits accurately into the keep slot without misalignment or jamming.



Fence Gate Installation

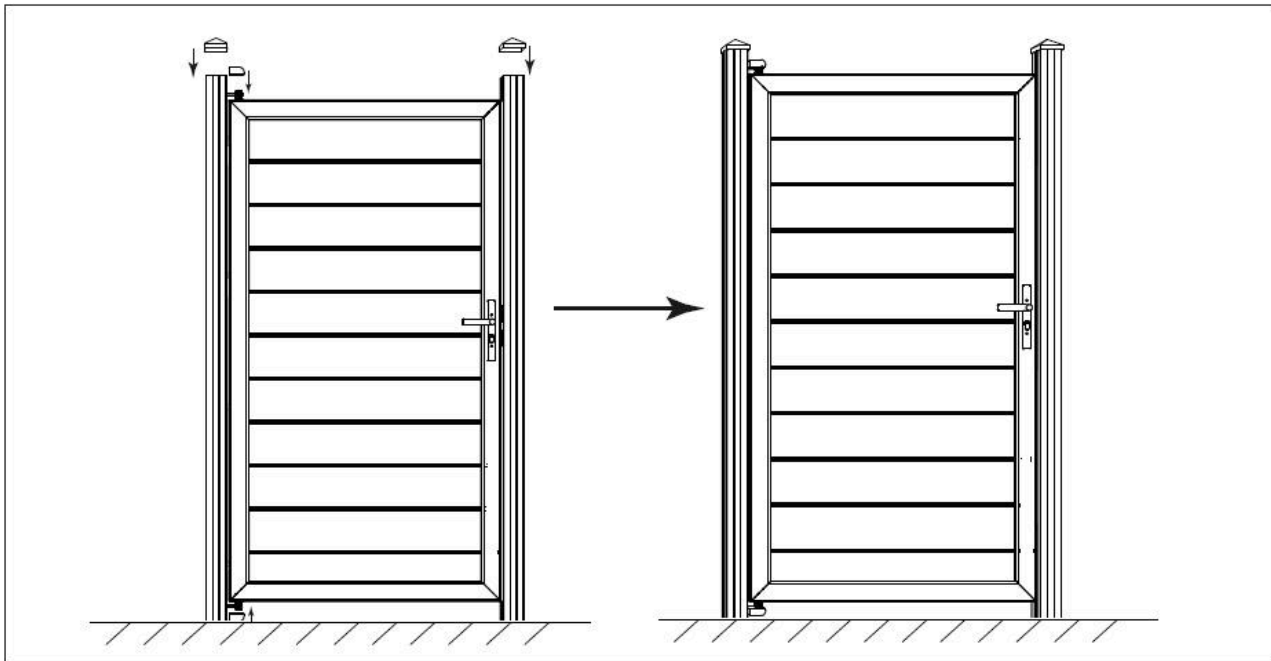
7 Gap Adjustment and Cap Installation

Gap Adjustment:

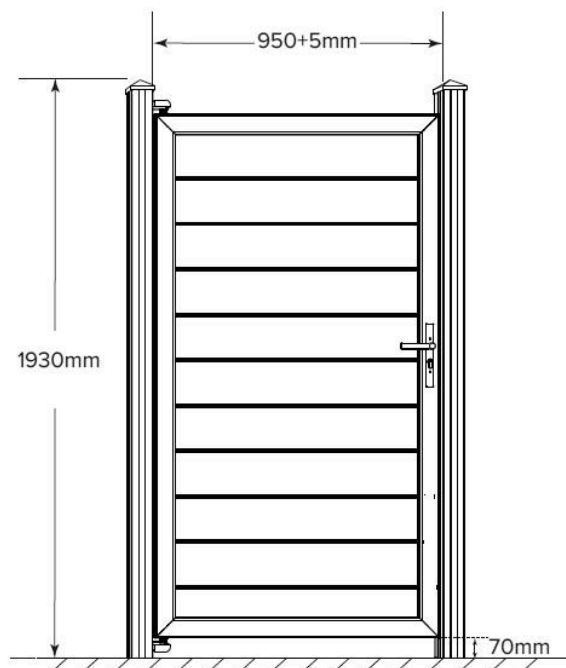
Before fitting the door hinge caps (HXFGC05), fine-tune the gap between the gate and the gate post by adjusting the nuts on the top and bottom hinges, ensuring the smooth operation and alignment of the gate.

Post Cap (HXFGC06) and Door Hinges Cap Installation:

Once the fence gate gaps and alignment is properly adjusted, fit the post cap to the top of the posts, then fit the door hinge caps onto the top and bottom hinges.



Finished Installation Size



Maintenance Guidelines

Problem	Solution
Dirt and Debris	Use warm soapy water for the surface of your fence gate, cleaning with a soft bristled brush. For a deeper clean, use a jet wash with the fan attachment no greater than 3100 PSI to clear away the surface debris.
Oil / Grease / Food	<p>All oil/grease/food spills must be removed promptly. Use warm soapy water and a soft non-metal scrub brush to clean.</p> <p>Grease and oil stains may require an all purpose cleaner if the initial warm soapy water does not work.</p>
Mould and Mildew	<p>While composite material is resistant to the damaging effects of both mould and mildew growth, this type of growth can occur on almost every outdoor surface.</p> <p>If you do see mould and mildew build up, remove it as quickly as possible. Use warm soapy water and a soft non-metal scrub brush to clean.</p>
Ice and Snow	Avoid using metal objects to clear snow or ice off your balustrades. We recommend using a salt-free, non-corrosive ice melt designed not to leave any residue on the surface of the fence gate, as these are generally more effective than salt-based alternatives.
Irregular Heat Sources	Composite products have the tendency to retain heat. Proper precautions should be taken to avoid your fence gate being exposed to any fires or irregular heat sources to ensure no damage occurs.